

NOTES :

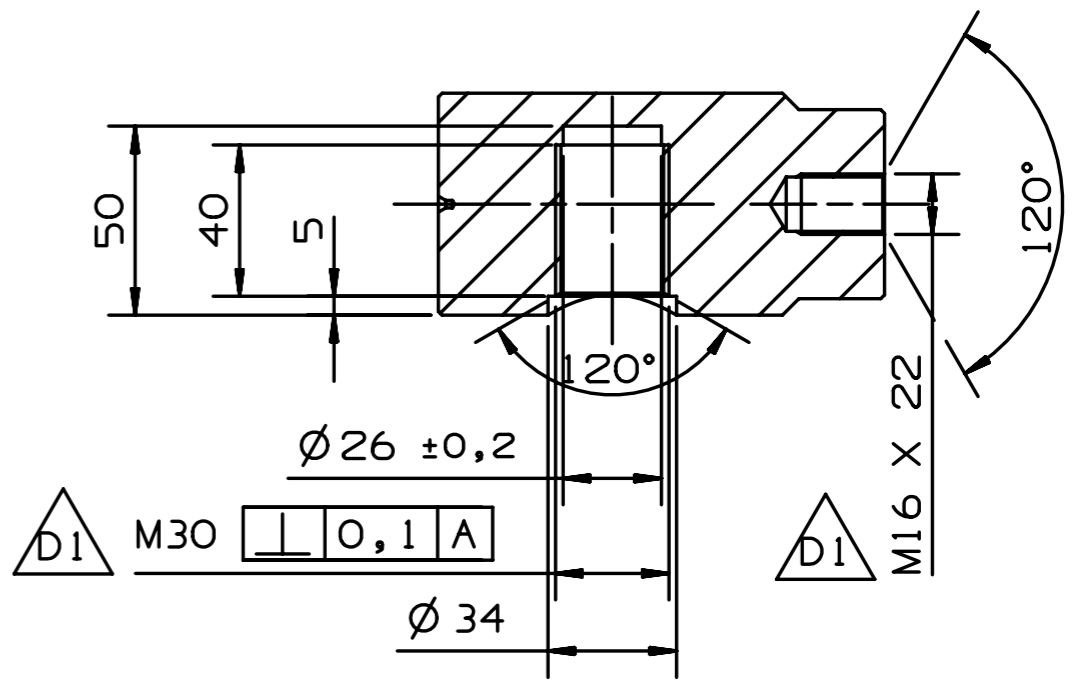
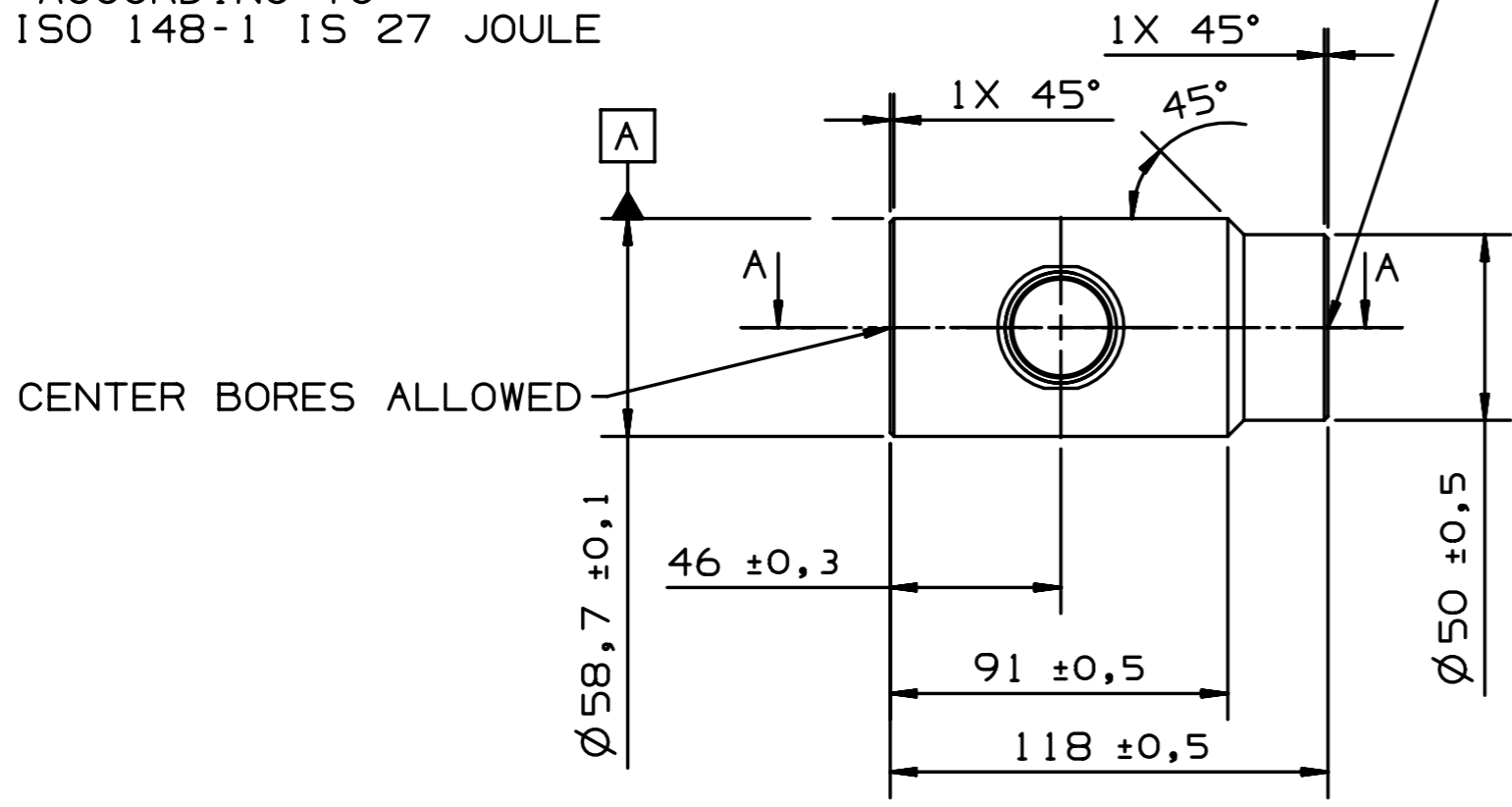
MATERIAL: STEEL GRADE 10 (DIN EN ISO 898-2)
WEIGHT: (2.09 kg)

1. COMPLY WITH P14A-AL-0220
2. COMPLY WITH P14A-AL-0218
3. MANUFACTURER MUST SUPPLY 3.1.B CERTIFICATE ACCORDING TO DIN EN 10204
4. MINIMUM VALUE FOR THE NOTCHED BAR IMPACT WORK DETERMINED AT -40°C ON THE ISO-V SAMPLE ACCORDING TO ISO 148-1 IS 27 JOULE

REVISIONS			
REV	DESCRIPTION	ISSUED	ENGINEER
D	(1) UPDATED DIMENSION ECR- 3035907 ECO-1093708	SANTAMMA 16.MAR.10	LEDEMSA 07.APR.10

REVISE ON CAD ONLY
UG PART: 114W4312

IN NON ERASABLE LETTER APPLY:
"10", MANUFACTURER, LOT#

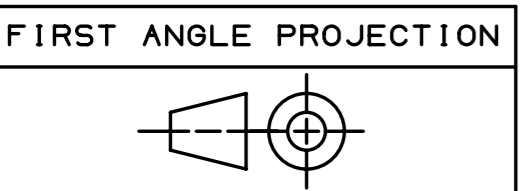


SECTION A - A

DELTA MKS OR DELTA PROTECT

© COPYRIGHT 2008 GENERAL ELECTRIC COMPANY

PROPRIETARY INFORMATION-THIS DOCUMENT CONTAINS PROPRIETARY INFORMATION OF GENERAL ELECTRIC COMPANY AND MAY NOT BE USED OR DISCLOSED TO OTHERS, EXCEPT WITH THE WRITTEN PERMISSION OF GENERAL ELECTRIC COMPANY.



UNLESS OTHERWISE SPECIFIED DIMENSIONS ARE IN MILLIMETERS TOLERANCE CLASS: ISO 2768 - mK	SIGNATURES	DATE			GENERAL ELECTRIC COMPANY WIND ENERGY TECHNOLOGY
	DESIGNED STARKEAN	09.FEB.07	<p style="text-align: center;">BARREL NUT EXTENDED GE 40 XLE</p> <p style="text-align: right;">W860</p>		
	DRAWN STARKEAN	14.FEB.07			
	CHECKED WOLTERCH	13.MAY.08			
	ENGINEER MERZHATH	13.MAY.08			
ISSUED TATA	13.MAY.08				
OLD PRO-E DRAWING NONE			SIZE A3	CAGE CODE	DWG NO 114W4312
	SIM TO: NONE		SCALE NONE		SHEET 1