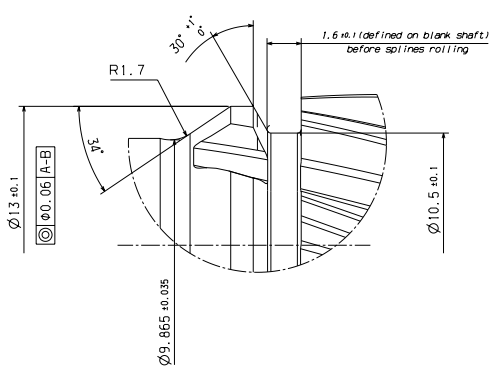
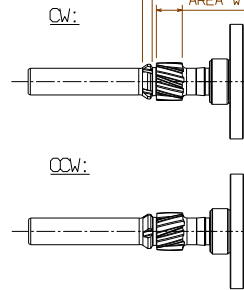


DETAIL B  
Scale: 8:1



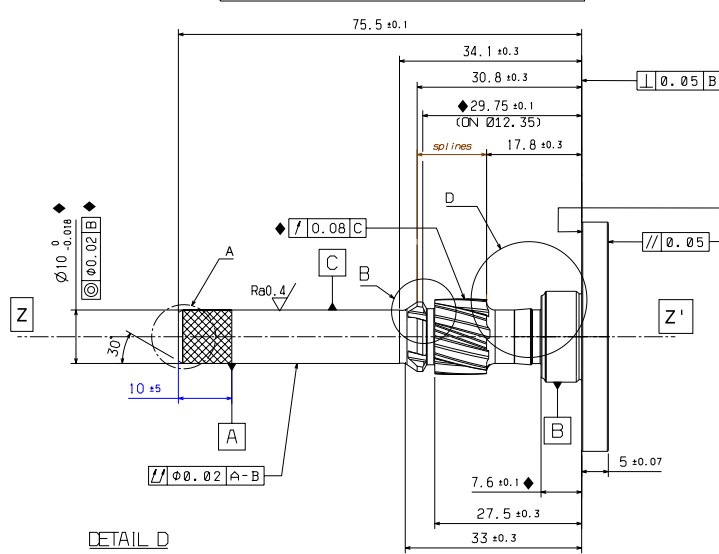
AREA WITH 4 INDENTED SPLINES (1 OUT OF 2)

AREA WITH 8 SPLINES

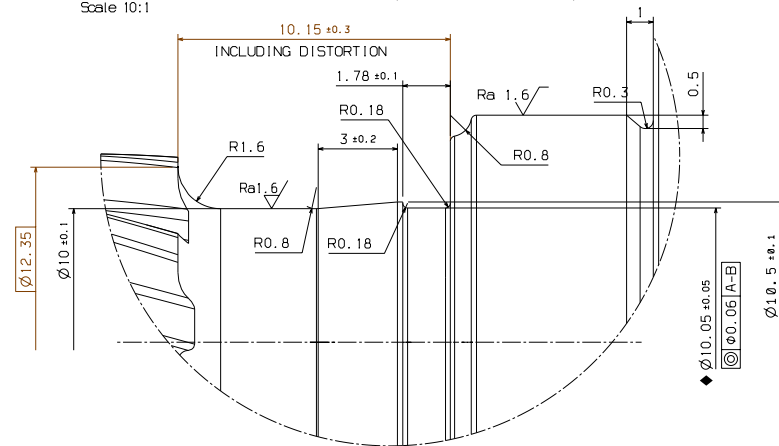


| PART NUMBER | HELICOIDAL SPLINE         | ORIENTATION |
|-------------|---------------------------|-------------|
| 1207802     | 193807- RIGHT HAND SPLINE | CW          |
| 1207803     | 193807- LEFT HAND SPLINE  | CCW         |

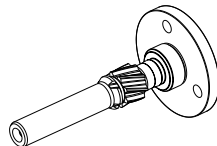
ZZ' AXIS OF SHAFT ROTATION ON BEARING B - A



DETAIL D  
Scale 10:1



ISOMETRIC VIEW  
Scale: 1:1



**TOOTHING DATA:**  
Right-hand helicoïdal splines according to specification 193807

**PROTECTION:**  
OIL TOTAL DROSERA MS15

Complete shaft without any cracks & burrs

NOTE

- No sharp and concave angles in diameters transition areas.
- Shaft without any cracks and burrs.
- All dimensions after heat treatment.
- Dimensions and geometric tolerances according to: ISO 1101 2004; ISO 8015; ISO 5459, ISO 2768 1 m, ISO 2768 2 K
- Protection: Total droseera MS15.

| Rev | Modified by       | Date       | ECO | Nature of modifications                                   |
|-----|-------------------|------------|-----|-----------------------------------------------------------|
| 02  | Krzysztof POTACEK | 07/02/2013 |     | ±0.018 tolerance changed<br>NSC->TSC drawing note changed |
| 01  | MANJU KUMAR       | 23/11/2012 |     | CREATION                                                  |

|                                                                                                                                                                                                                                                                                                  |                                                                                                                                                                                                                                                                                                     |                                  |
|--------------------------------------------------------------------------------------------------------------------------------------------------------------------------------------------------------------------------------------------------------------------------------------------------|-----------------------------------------------------------------------------------------------------------------------------------------------------------------------------------------------------------------------------------------------------------------------------------------------------|----------------------------------|
| <p>On plan et les dispositions et réalisations qu'il représente, sont communiqués à titre strictement confidentiel et restent la propriété exclusive de la Société « Equipements Electriques Motor ». Ils ne peuvent être ni reproduits ni communiqués à des tiers sans autorisation écrite.</p> | <p>This drawing as well the devices and realisations it presents are reported on a strictly confidential basis and remain the exclusive property of the company « Equipements Electriques Motor ». They may not be copied nor disclosed to third parties without the company's written consent.</p> |                                  |
| <p>CREATION/CREATION<br/>MANJU KUMAR G P<br/>DATE: 23/11/2012</p>                                                                                                                                                                                                                                | <p>APPROBATION/APPROVAL<br/>C. THIRUGAVELU<br/>DATE:</p>                                                                                                                                                                                                                                            | <p>DRIVE SHAFT<br/>TSC</p>       |
| <p>MATIERE/MATERIAL<br/>186578/196034</p>                                                                                                                                                                                                                                                        | <p>ORIGINE/FROM<br/>1204216</p>                                                                                                                                                                                                                                                                     | <p>ECHELLE<br/>SCALE<br/>1/1</p> |
| <p>TREATMENT-PROTECTION/TREATMENT-PROTECTION<br/>1207830</p>                                                                                                                                                                                                                                     | <p>TOLERANCES GENERALES/GENERAL TOLERANCES<br/>SEE NOTE</p>                                                                                                                                                                                                                                         | <p>FORMAT<br/>SIZE<br/>A1</p>    |

WS STANDARD MONDIAL  
World Standard  
LA APPLICATION LOCALE  
Local Application

A1207837  
Planche Sheet 1/1  
Rev 02