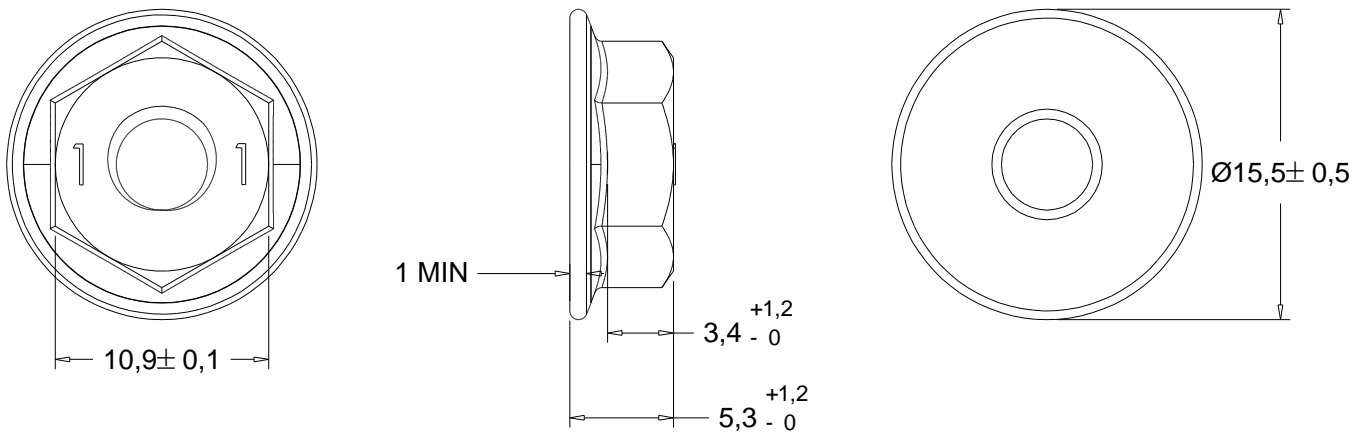


DTI4921 Hex flange nut M6 SP11 - Model 2



M6x1mm
Finishing: Geomet 500B*
Class: 8

*
Coating: Geomet grade B
The tolerance must be functional
with the coating Geomet B

04/09/2013 REV005