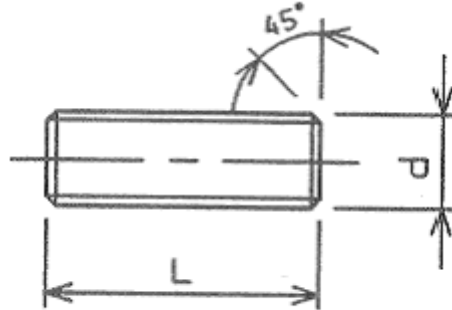


Esta documentação é de nossa propriedade intelectual. Sem a nossa autorização por escrito, não poderá de maneira nenhuma ser copiada, nem usada para fabricação ou para dar conhecimento a terceiros.



Espiga Roscada d x L

Referência PDM: NOK 4410100

Diese Darstellung ist unser geistiges Eigentum. Sie darf ohne unsere schriftliche Zustimmung weder irgendwie kopiert noch zur Anfertigung des Werkes gebraucht oder Drittpersonen bekanntgegeben werden.

This presentation is our intellectual property. Without our written consent, it shall neither be copied in any manner, nor used for manufacturing, nor communicated to third parties.

							1					
Ident No.	Semi finished product / raw material					Semi Fin./ Id.No.	Item	Code surface and heat treatment		Drwg/BOM/Model	Weight kg	
Modification	Ae 0	Ae 1	Ae 2	Ae 3	Ae 4	Ae 5	Drawing Version		Related BOM			
KA No.	809132								Related BOM			
KA Date							Model Version		Related BOM			
									Release Level	Released		
							Remark			Date	Name	
<b>Desenho Mecânico</b> Espiga Roscada Rosca Total							Scale	Replaces / Ae:	Prepared	05-01-07	fukunaos	
								70141XA/XE	Reviewed	05-01-07	westphot	
								Page 1/1	Norms Chckd	05-01-07	moriva	
									Released	05-01-07	abadju	
<b>INVENTIO AG</b> CH - 6052 Hergiswil					Classification 11990	Lead Office <b>SA1</b>	<b>M 44905501</b>			Language P		
					Format A4							