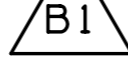


NOTES :

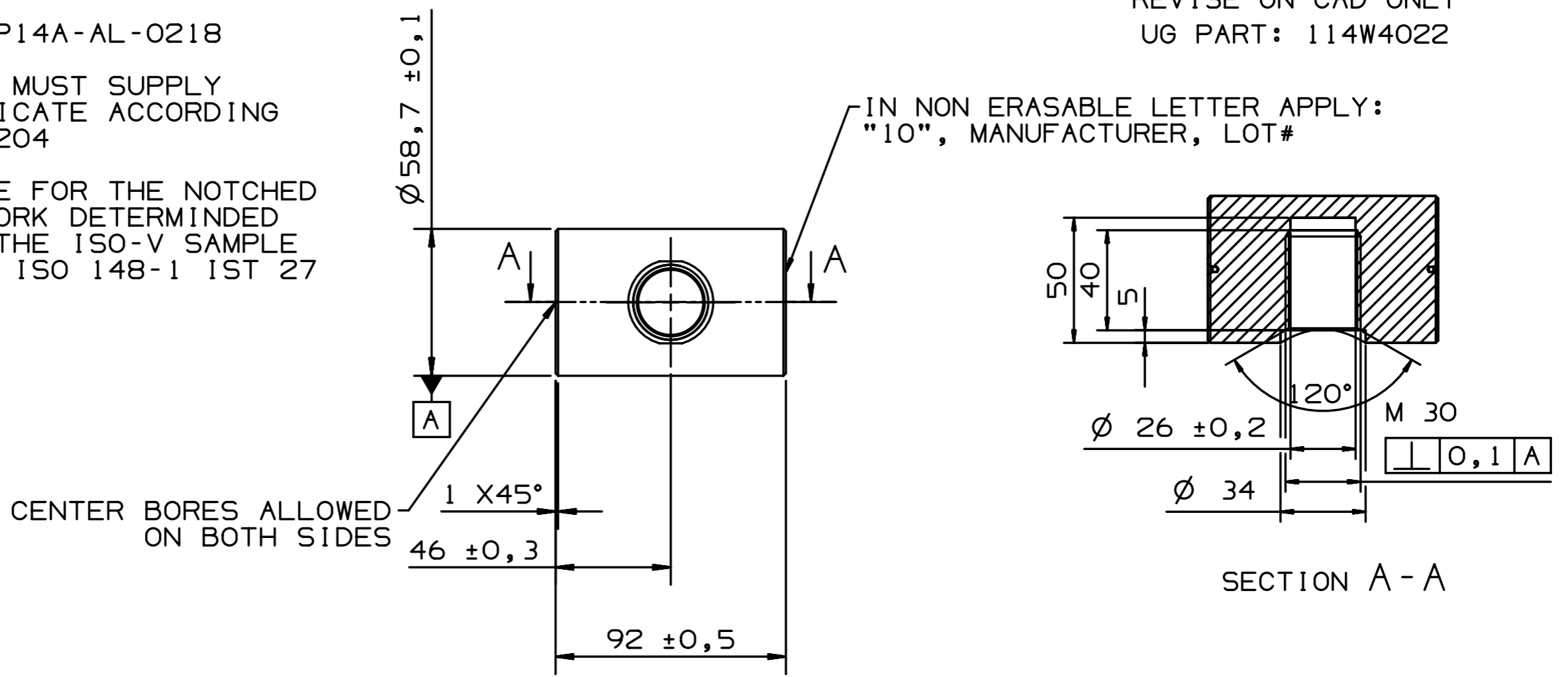
MATERIAL: STEEL GRADE 10 (DIN EN ISO 898-2) 
 WEIGHT: (1.72 kg)

1. COMPLY WITH P14A-AL-0220
2. COMPLY WITH P14A-AL-0218
3. MANUFACTURER MUST SUPPLY 3.1.B CERTIFICATE ACCORDING TO DIN EN 10204
4. MINIMUM VALUE FOR THE NOTCHED BAR IMPACT WORK DETERMINED AT -40°C ON THE ISO-V SAMPLE ACCORDING TO ISO 148-1 IST 27 JOULE

REVISIONS			
REV	DESCRIPTION	ISSUED	ENGINEER
B	(1) UPDATED WEIGHT ECR- 3000139 ECO-0906569	GANNMA 25.AUG.09	HARDISR 11.SEP.09

REVISE ON CAD ONLY
 UG PART: 114W4022

IN NON ERASABLE LETTER APPLY:
 "10", MANUFACTURER, LOT#




SECTION A - A

DELTA MKS OR DELTA PROTECT

© COPYRIGHT 2008 GENERAL ELECTRIC COMPANY

PROPRIETARY INFORMATION-THIS DOCUMENT CONTAINS PROPRIETARY INFORMATION OF GENERAL ELECTRIC COMPANY AND MAY NOT BE USED OR DISCLOSED TO OTHERS, EXCEPT WITH THE WRITTEN PERMISSION OF GENERAL ELECTRIC COMPANY.

UNLESS OTHERWISE SPECIFIED DIMENSIONS ARE IN MILLIMETERS TOLERANCE CLASS: ISO 2768 - mK	SIGNATURES	DATE	 GENERAL ELECTRIC COMPANY WIND ENERGY TECHNOLOGY		
	DESIGNED ERNSTIAL	08.MAY.08	BARREL NUT GE 40 XLE W860		
	DRAWN ERNSTIAL	08.MAY.08			
	CHECKED WOLTERCH	13.MAY.08			
	ENGINEER MERZHATH	13.MAY.08			
ISSUED TATA	13.MAY.08				
OLD PRO-E DRAWING NONE			SIZE A3	CAGE CODE	DWG NO 114W4022
	SIM TO: NONE		SCALE NONE		SHEET 1

