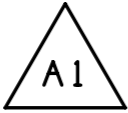


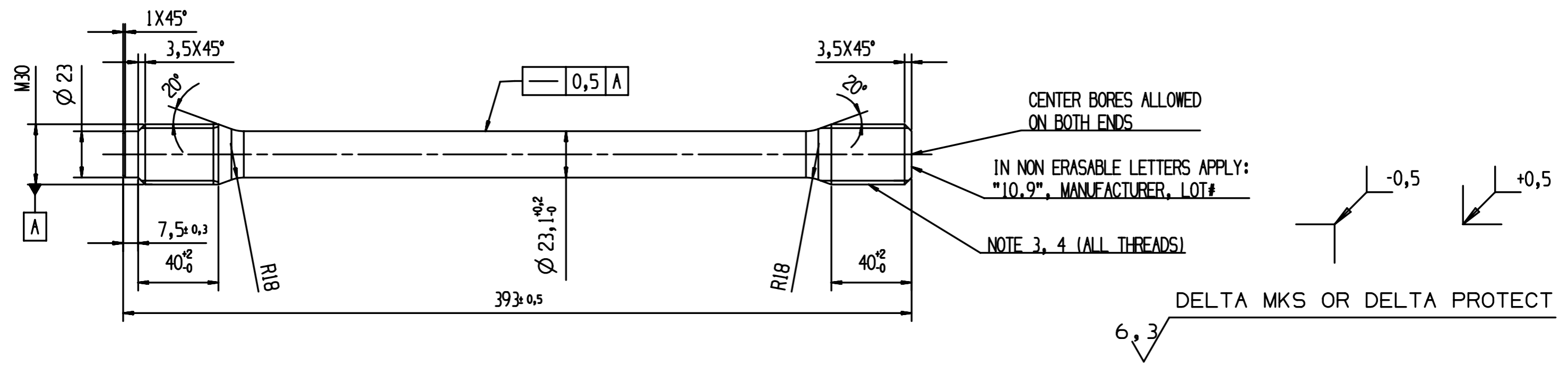
REVISIONS			
REV	DESCRIPTION	ISSUED	ENGINEER
A	(1) MADE WEIGHT REFERENCE ECR-3000139 ECO-0906569	GANNMA 27.AUG.09	HARDISR 11.SEP.09

MATERIAL: STEEL GRADE 10.9 (DIN EN ISO 898-1)
WEIGHT: (1.47 kg)



- NOTES :
- 1-COMPLY WITH P14A-AL-0220
 - 2-COMPLY WITH P14A-AL-0218
 - 3-FULL THREAD
 - 4-THREADS FINISH ROLLED TO 100% DEPTH AFTER HEAT TREATMENT
 - 5-MANUFACTURER MUST SUPPLY 3.1.B CERTIFICATE ACCORDING TO DIN EN 10204

REVISE ON CAD ONLY
UG PART: 114W4021



© COPYRIGHT 2008 GENERAL ELECTRIC COMPANY

PROPRIETARY INFORMATION-THIS DOCUMENT CONTAINS PROPRIETARY INFORMATION OF GENERAL ELECTRIC COMPANY AND MAY NOT BE USED OR DISCLOSED TO OTHERS, EXCEPT WITH THE WRITTEN PERMISSION OF GENERAL ELECTRIC COMPANY.

UNLESS OTHERWISE SPECIFIED	SIGNATURES	DATE
DIMENSIONS ARE IN MILLIMETERS TOLERANCE CLASS: ISO 2768 - mK	DESIGNED ERNSTIAL	08.MAY.08
	DRAWN ERNSTIAL	08.MAY.08
	CHECKED WOLTERCH	13.MAY.08
	ENGINEER MERZHATH	13.MAY.08
	ISSUED FATA	13.MAY.08
OLD PRO-E DRAWING NONE		
SIM TO:	NONE	

GE Energy

GENERAL ELECTRIC COMPANY
WIND ENERGY TECHNOLOGY

BLADE BOLT
GE 40 XLE

W868

SIZE	CAGE CODE	DWG NO
A3		114W4021
SCALE	NONE	SHEET 1

